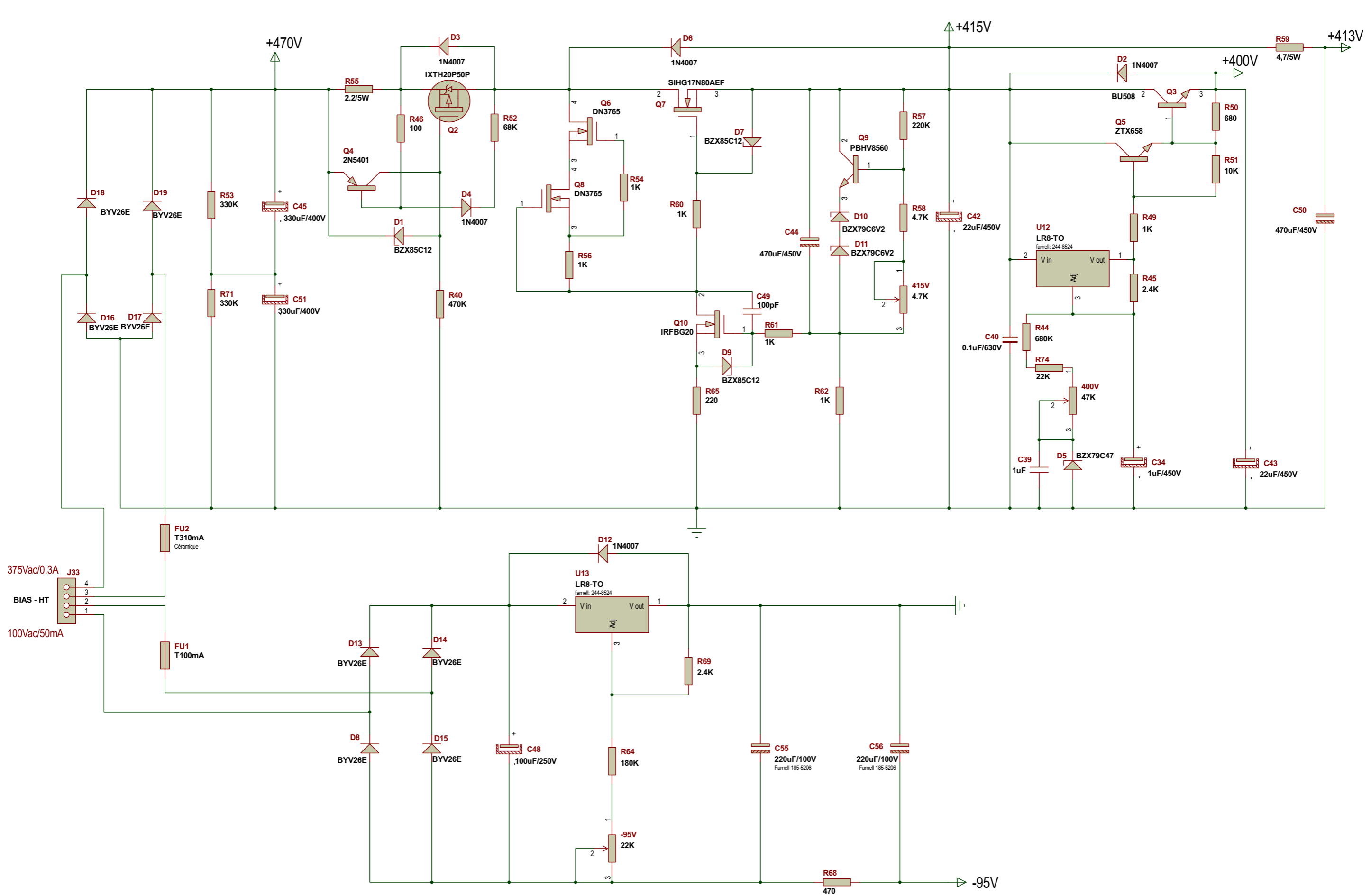
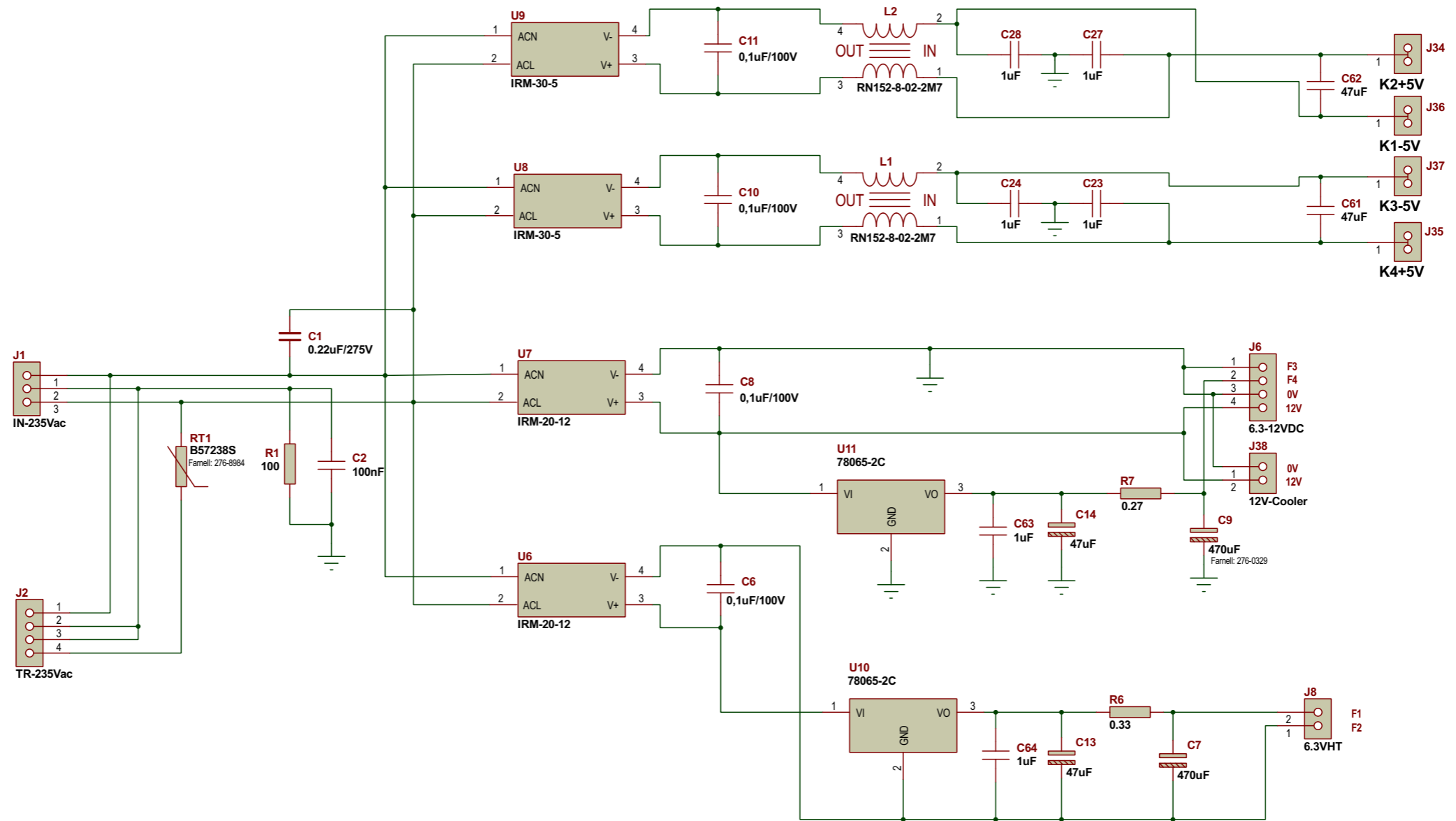


TITLE:	PCB REF : 0	DATE: 24/04/2026
PP-300B-PASSIF	REV: 2	
IN		
BY: J.P. VOITURIER		PAGE: 1/5





TITLE:	PCB REF : 0	DATE: 24/04/2026
PP-300B-PASSIF	REV: 2	
ALIM-HEATERS		
BY: J.P. VOITURIER	ARIEC FRANCE	PAGE: 3/5

